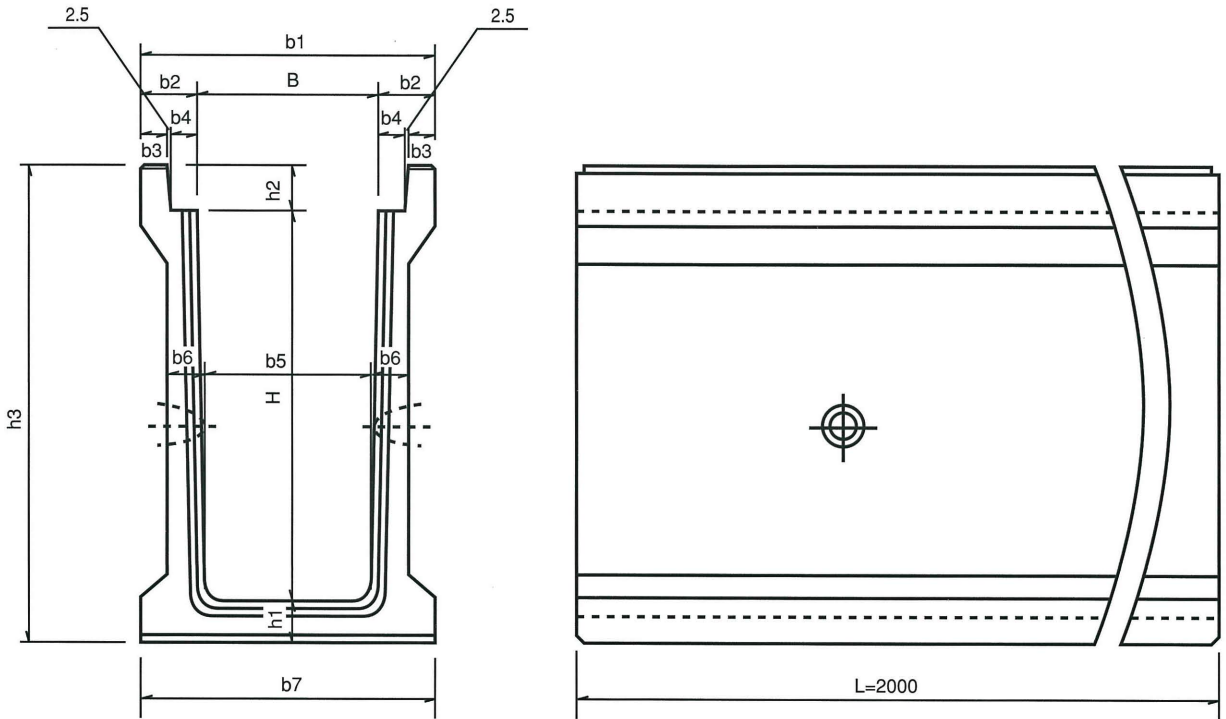


SRCC 深溝側溝標準型
GPU2型(歩道用)
GPU3型(T-25)、GPU14型(T-14)(車道用)



寸法表

呼び名	寸法 (単位mm)												参考重量 kg
	B	H	b1	b2	b3	b4	b5	b6	b7	h1	h2	h3	
GPU ₃ ² ₁₄ -B300-H600	300	600	535	117.5	60	55	250	80	535	80	100	780	727
GPU ₃ ² ₁₄ -B300-H700	300	700	535	117.5	60	55	245	85	535	85	100	885	825
GPU ₃ ² ₁₄ -B300-H800	300	800	535	117.5	60	55	240	90	535	90	100	990	930
GPU ₃ ² ₁₄ -B300-H900	300	900	535	117.5	60	55	235	95	535	95	100	1095	1043
GPU ₃ ² ₁₄ -B300-H1000	300	1000	535	117.5	60	55	230	100	535	100	100	1200	1163
GPU ₃ ² ₁₄ -B400-H600	400	600	635	117.5	60	55	350	80	635	80	110	790	770
GPU ₃ ² ₁₄ -B400-H700	400	700	635	117.5	60	55	345	85	635	85	110	895	872
GPU ₃ ² ₁₄ -B400-H800	400	800	635	117.5	60	55	340	90	635	90	110	1000	979
GPU ₃ ² ₁₄ -B400-H900	400	900	635	117.5	60	55	335	95	635	95	110	1105	1095
GPU ₃ ² ₁₄ -B400-H1000	400	1000	635	117.5	60	55	330	100	635	100	110	1210	1217
GPU ₃ ² ₁₄ -B500-H700	500	700	755	127.5	65	60	445	90	755	90	125	915	997
GPU ₃ ² ₁₄ -B500-H800	500	800	755	127.5	65	60	440	90	755	90	125	1015	1065
GPU ₃ ² ₁₄ -B500-H900	500	900	755	127.5	65	60	435	95	755	95	125	1120	1183
GPU ₃ ² ₁₄ -B500-H1000	500	1000	755	127.5	65	60	430	100	755	100	125	1225	1307

*GPU2、GPU3、GPU14は鉄筋量で区別しています